

# DKG-173

Din-



DATAKOM DKG-173

Din-

3-

-R, MC, RST

-MCB

R

-R, MC, RST

-MCB

G

-G

GC

GCB

G.

-R RST

MC

MCB

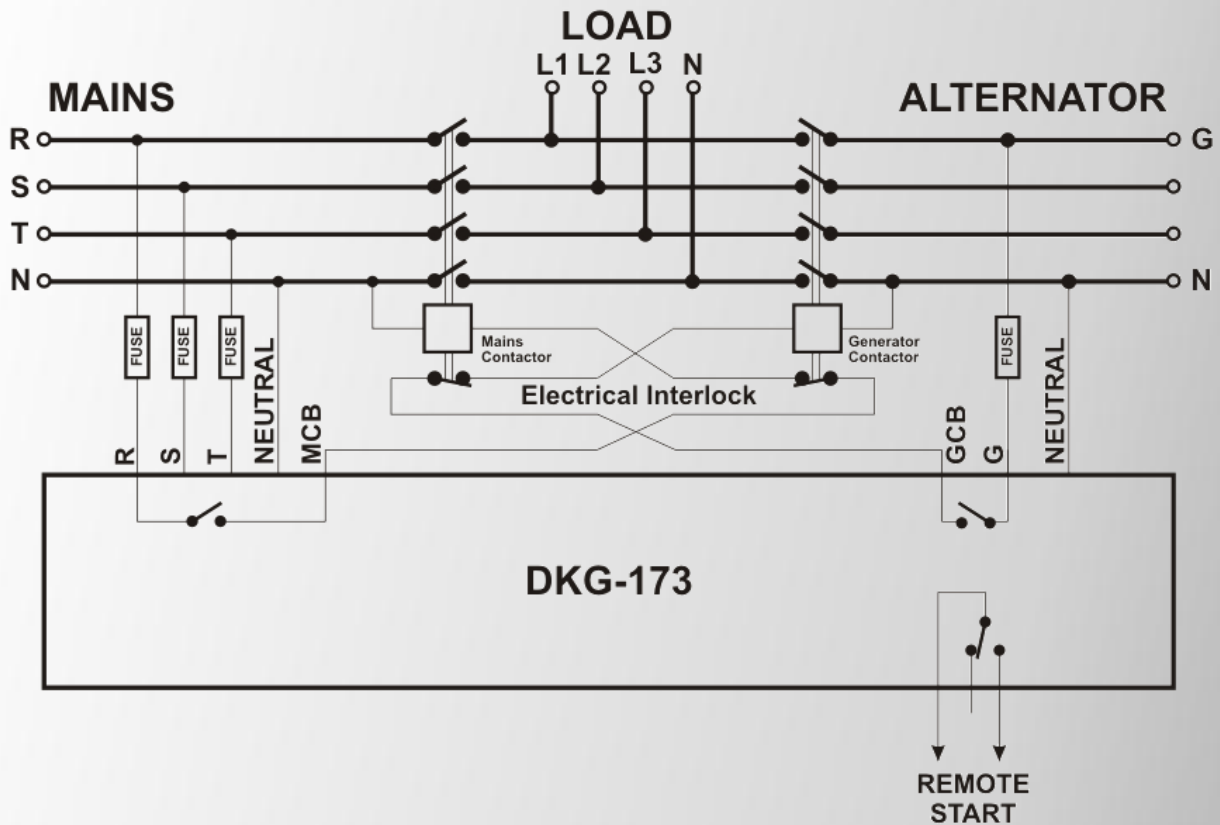
R.

DIN

10A/250VAC

MCB GCB

10A/28VDC/250VAC



**R-S-T:** : 170-300 V-AC (Ph-N)  
**NEUT-MN:** : 170-300 V-AC (Ph-N)  
**G:** : 1-40  
**NEUT-GN:** : 1-40  
**MCB-** : 10A @ 250V-AC  
**GCB-** : 10A @ 250V-AC  
 (10A@250V-AC)  
 (10A@28V-DC/250V-AC)

**MCB** : 10A @ 250V-AC  
**GCB** : 10A @ 250V-AC  
 : 10A @ 250V-AC/28V-DC  
 : -30°C (-22°F) to 70 °C (158°F).  
 : -30°C (-22°F) to 80 °C (176°F).  
 : 95%  
 : 70x115x66mm (WxHxD)  
 : 180  
 : DIN Rail  
 : High Temp. ABS/PC (UL94-V0)  
**IP** : IP20  
**Conformity (EU directives)**  
 -2006/95/EC (low voltage)  
 -2004/108/EC (EMC)  
**Norms of reference:**  
 EN 61010 (safety requirements)  
 EN 61326 (EMC requirements)

**G:**  
**GC:**  
**R:**  
**RST:**  
**MC:**

